

Gel Battery 12V-100AH



GENERAL FEATURES

- Designed with AGM (Absorbent Glass Mat) technology, equipping high performance plates and electrolyte, the 6GFM100 is a general-purpose VRLA battery with a lifespan of 10 years for float charging at 25°C
- Using oxygen recombination technology, maintenance-free.
- ABS material: enhanced strength of the battery container. (Flame-retardant ABS is optional).

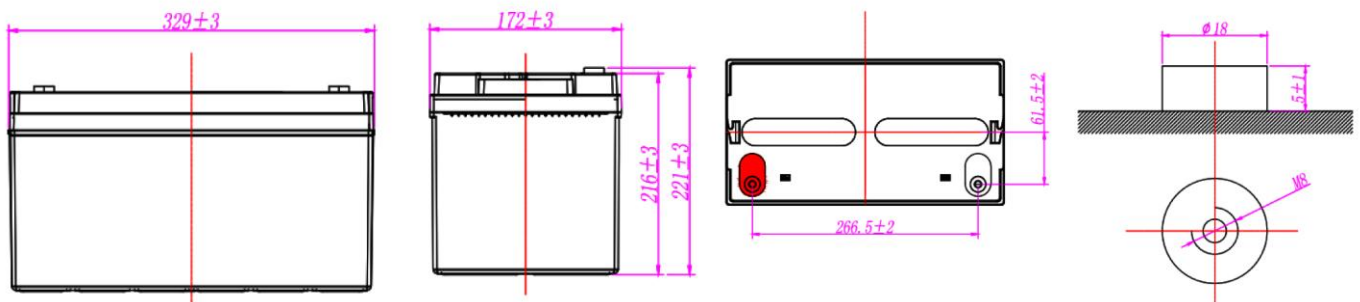
APPLICATIONS

- | | |
|--|--|
| <ul style="list-style-type: none"> ● All purpose ● Uninterruptable Power Supply (UPS) ● Electric Power System (EPS) ● Emergency backup system ● Emergency light ● Railway Signal | <ul style="list-style-type: none"> ● Aircraft signal ● Alarm and security system ● Electronic apparatus and equipment ● Communication power supply ● DC power supply ● Auto control system |
|--|--|

SPECIFICATIONS

Model	Nominal Voltage	12V		
	Rated Capacity (10Hr rate)	100Ah		
Dimensions	Length	Width	Height	Total Height
	331mm (13.03")	173mm (6.81")	216mm (8.5")	221mm (8.7")
Weight	Approx. 29.5KG (71.882lbs) ± 3%			
Capacity @25°C (77°F)	20 hour (10A,10.8V)	5 hour (16A,10.5V)	3 Hour (25A,10.2V)	1 Hour (60A,9.6V)
	100Ah	80Ah	75 Ah	60Ah
Internal Resistance	Fully charged at 25°C, approx. 4.2mΩ			
Max. Discharge Current	1000A (5 Sec.)			
Capacity Affected by Temp.(10Hr)	40°C(104°F)	25°C(77°F)	0°C(32°F)	-15°C(5°F)
	102%	100%	85%	65%
Self Discharge Rate	After 3 months Storage	After 6 months Storage	After 12 months Storage	
	91%	82%	64%	
Charge Method	Cycle Use		Float Charging	
	14.4-14.4V (Initial current less than 40A) @25°C (77°F)		13.5-13.8V@25°C (77°F)	

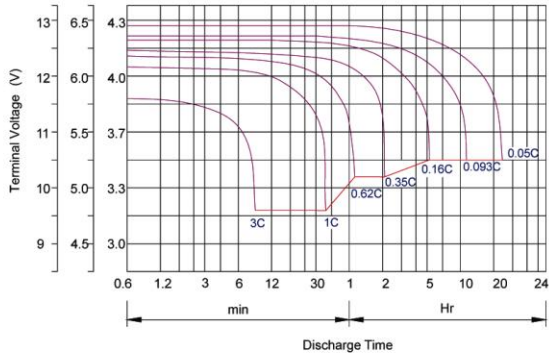
DIMENSIONS & TERMINALS



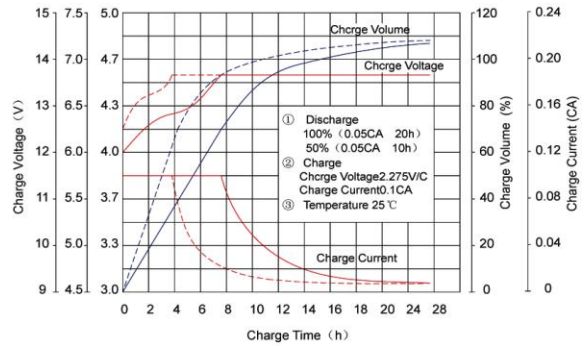
PERFORMANCE CHARACTERISTICS

Cell Voltage	Time	5min	10min	15min	30min	1hr	2hr	3hr	4hr	5hr	8hr	10hr	20hr
		9.60V	A	320.30	211.00	170.10	114.00	60.00	35.00	25.70	20.00	16.50	11.70
	W	3305.50	2253.50	1823.80	1225.70	648.00	384.30	286.00	225.00	187.60	134.10	121.30	65.90
10.20V	A	310.20	190.40	160.20	109.00	56.40	33.40	25.00	19.50	16.20	11.40	10.30	5.50
	W	3312.90	2126.00	1792.60	1223.60	637.90	385.00	289.50	226.70	188.90	133.40	121.00	64.50
10.50V	A	300.10	170.30	140.10	102.00	54.60	32.60	24.40	19.20	16.00	11.30	10.10	5.50
	W	3277.10	1937.30	1598.80	1173.80	632.30	378.10	284.30	224.60	187.60	132.90	119.50	65.00
10.80V	A	289.20	160.50	130.20	94.00	52.80	31.80	23.80	18.90	15.60	11.00	10.00	5.40
	W	3244.80	1850.90	1499.90	1089.10	614.60	372.40	280.60	223.20	184.40	130.40	118.90	64.30
11.10V	A	279.50	150.40	120.20	84.00	51.00	31.00	23.00	18.40	15.20	10.70	9.50	5.10
	W	3169.50	1741.60	1399.10	982.80	599.80	366.40	273.20	219.10	181.40	128.10	114.70	61.80

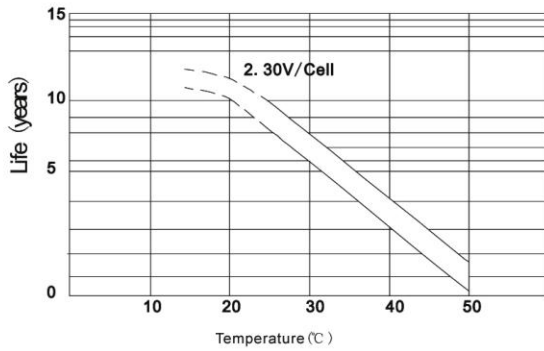
DISCHARGE CHARACTERISTICS



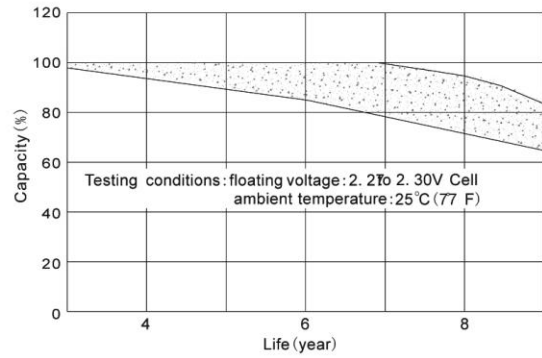
CHARGING CHARACTERISTICS (STANDBY) @25°C



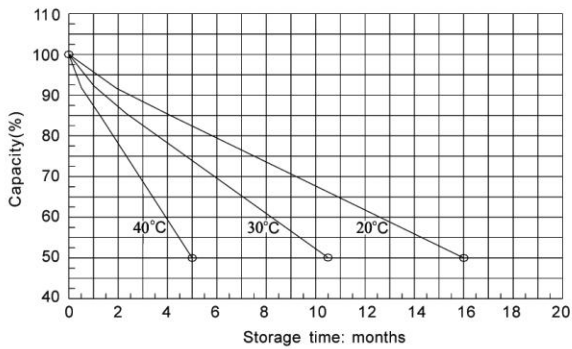
TEMP. EFFECTS ON FLOAT LIFE



LIFE CHARACTERISTICS OF STANDBY USE



SELF DISCHARGE CHARACTERISTICS



CYCLE LIFE IN RELATION TO THE DEPTH OF DISCHARGE

