

# 2MP Vandal-resistant Network IR Fixed Dome Camera

IPC322LR3-VSPF28(40)-D



## Key Features

### Optics

- Day/night functionality
- Smart IR, up to 30m (98ft) IR distance
- 2D/3D DNR (Digital Noise Reduction)

### Compression

- Ultra 265, H.265, H.264, MJPEG
- ROI (Region of Interest)

### Network

- ONVIF Conformance

### Structure

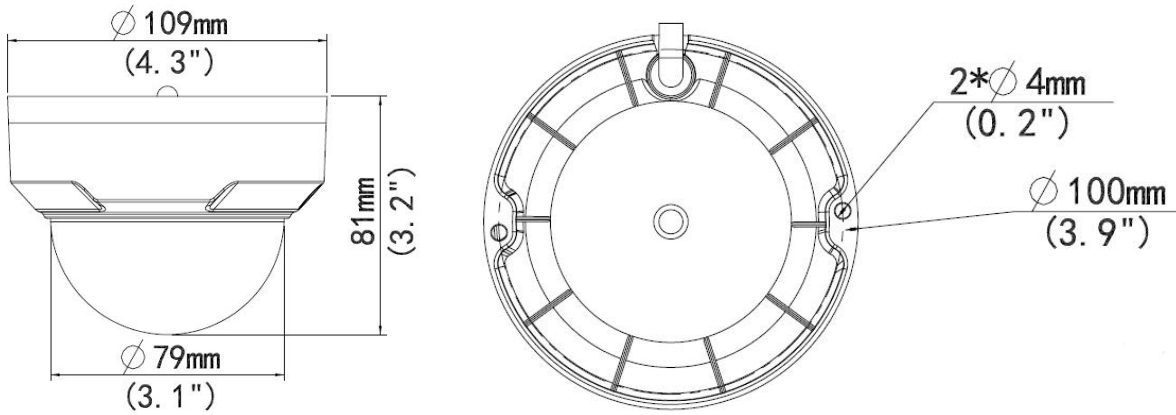
- Wide temperature range: -30°C ~ 60°C (-22°F ~ 140°F)
- Wide voltage range of ±25%
- IK10 vandal resistant
- IP67
- 2-Axis

## Specifications

	IPC322LR3-VSPF28-D	IPC322LR3-VSPF40-D			
<b>Camera</b>					
Sensor	1/2.7", 2.0 megapixel, progressive scan, CMOS				
Lens	2.8mm@F2.0		4.0mm@F2.0		
DORI Distance	Lens (mm)	Detect (m)	Observe (m)	Recognize (m)	Identify (m)
	2.8	46.7	18.7	9.3	4.7
	4.0	66.7	26.7	13.3	6.7
Angle of View (H)	112.7°		86.5°		
Angle of View (V)	60.1°		44.1°		
Angle of View (O)	146.5°		106.4°		
Adjustment angle	Pan: 0° ~ 360°		Tilt: 0° ~ 75°		
Shutter	Auto/Manual, 1 ~ 1/100000s				
Minimum Illumination	Colour: 0.02Lux ( F2.0, AGC ON) 0Lux with IR				
Day/Night	IR-cut filter with auto switch (ICR)				
Digital noise reduction	2D/3D DNR				
S/N	>52dB				
IR Range	Up to 30m (98ft) IR range				
WDR	DWDR				
<b>Video</b>					
Video Compression	Ultra 265, H.265, H.264, MJPEG				
H.264 code profile	Baseline profile, Main Profile				
Frame Rate	Main Stream: 1080P (1920*1080), Max 30fps; Sub Stream: 720P (1280*720), Max 30fps; Third Stream: CIF (352*288), Max 30fps				
HLC	Supported				
BLC	Supported				
OSD	Up to 4 OSDs				
Privacy Mask	Up to 8 areas				
ROI	Up to 2 areas				
Motion Detection	Up to 4 areas				
<b>Smart</b>					
Behavior Detection	Intrusion, Motion detection, Tampering alarm				
Intrusion	Enter and loiter in a pre-defined virtual region				
<b>Network</b>					
Protocols	IPv4, IGMP, ICMP, ARP, TCP, UDP, DHCP, RTP, RTSP, RTCP, DNS, DDNS, NTP, FTP, UPnP, HTTP, HTTPS, SMTP, SSL, QoS				
Compatible Integration	ONVIF (Profile S, Profile T), API				
<b>Interface</b>					
Network	10/100M Base-TX Ethernet				
<b>General</b>					
Power	DC 12V±25%, PoE (IEEE 802.3af)				

	Power consumption: Max 4.5W
Dimensions (Ø x H)	Φ109 x 81mm (Ø4.3" x 3.2")
Weight	0.45kg (0.99lb)
Working Environment	-30°C ~ 60°C (-22°F ~ 140°F), Humidity: ≤95% RH (non-condensing)
Ingress Protection	IP67
Vandal Resistant	IK10

## Dimensions



### Zhejiang Uniview Technologies Co., Ltd.

Building No.10, Wanlun Science Park, Jiangling Road 88, Binjiang District, Hangzhou, Zhejiang, China (310051)

Email: [overseasbusiness@uniview.com](mailto:overseasbusiness@uniview.com); [globalsupport@uniview.com](mailto:globalsupport@uniview.com)

<http://www.uniview.com>

©2019 Zhejiang Uniview Technologies Co., Ltd. All rights reserved.

\*Product specifications and availability are subject to change without notice.