



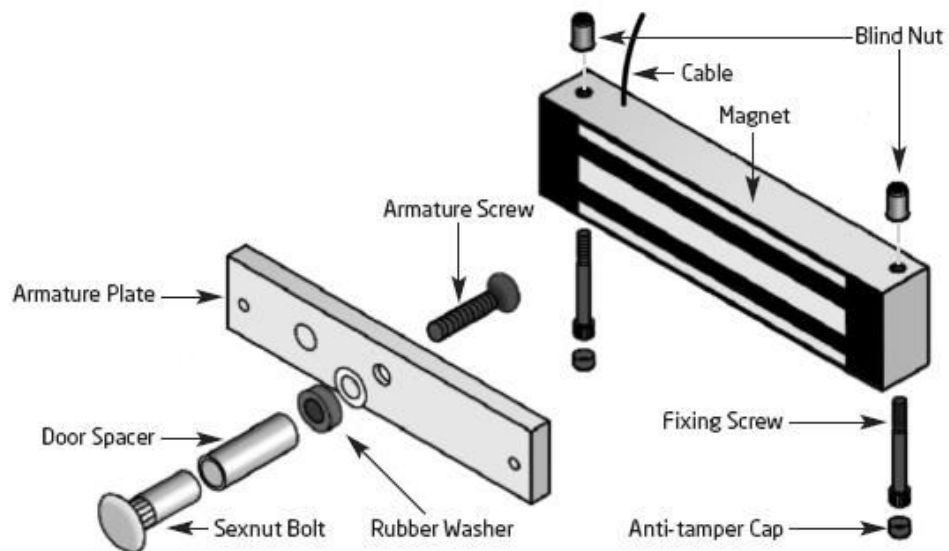
elock-1200S

## Features

**elock-1200S** Gate Locks provide 1200 lbs. holding force, with its rugged, stainless-steel housing, the weather-resistance Gate Lock is the ideal solution for perimeter security and vehicle gates.

## Specifications

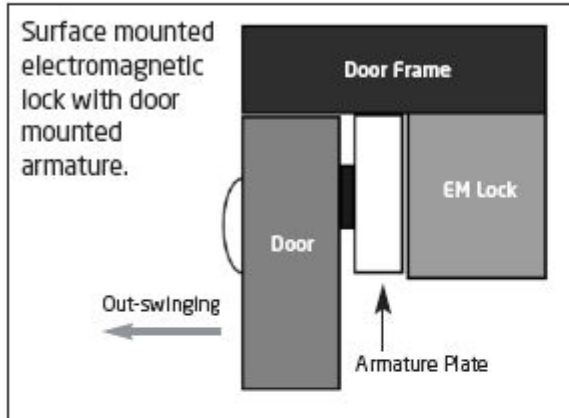
- Stainless Steel housing
- Fully sealed electronics, Weather-resistant rating IP 66
- Face or side mounts easily with a minimum of tools
- Dual voltage 12 & 24 Vdc
- Current drawn 500mA / 250mA
- MOV surge protection
- Fail-Safe type
- Push-off button on armature for instant release
- Safety Approval: **CE**
- Dimension :
  - Magnet :220(L) X 62(W) X 43(D) mm
  - Armature Plate :185(L) X 61(W) X 17(D) mm



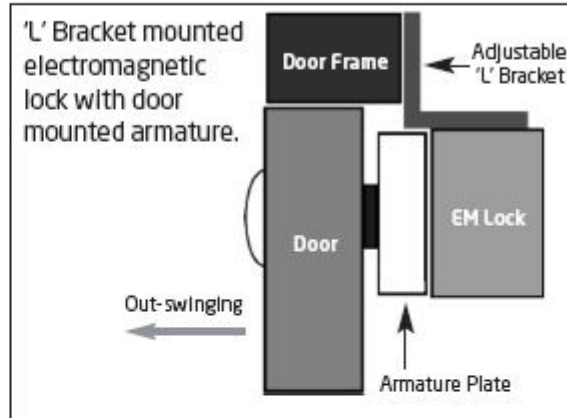
## Mounting Configurations:

Please identify the type of Installation required, for example; which way the door/gate will swing. Refer to the Installation diagrams for the blind nut, magnetic lock, bracket & armature to complete the install.

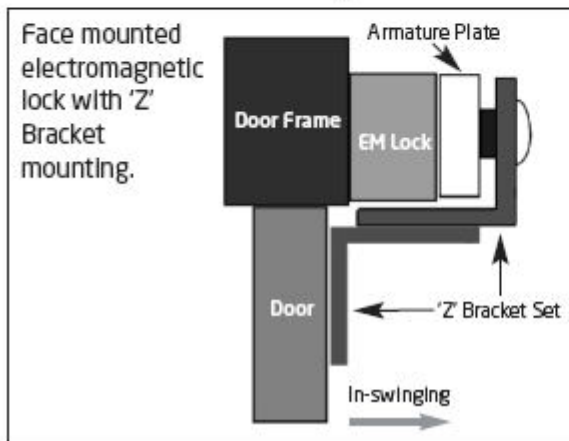
### Standard mounting



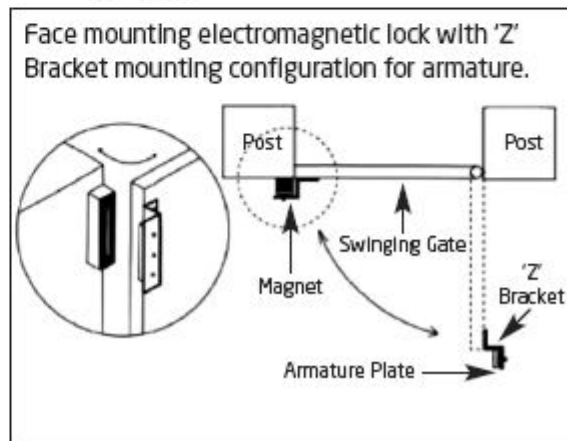
### 'L' Bracket mounting



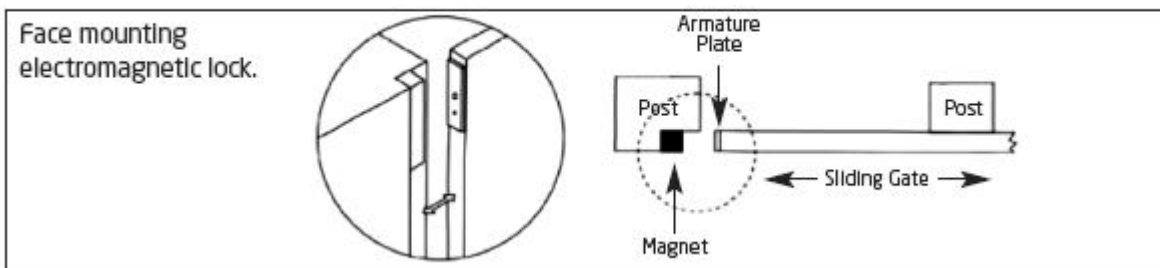
### 'Z' Bracket mounting



### Swinging gate

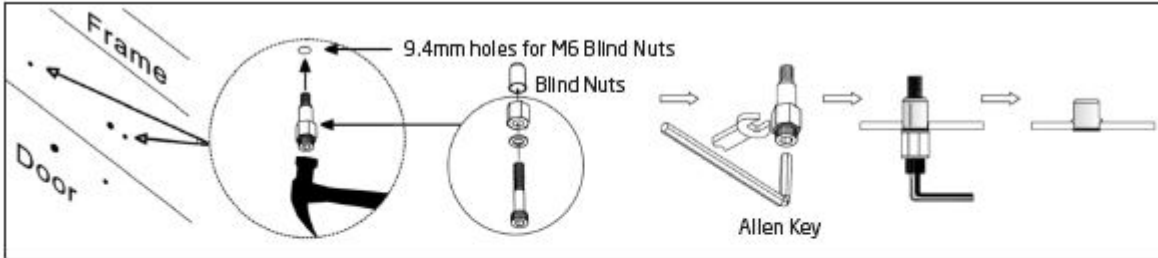


### Sliding gate

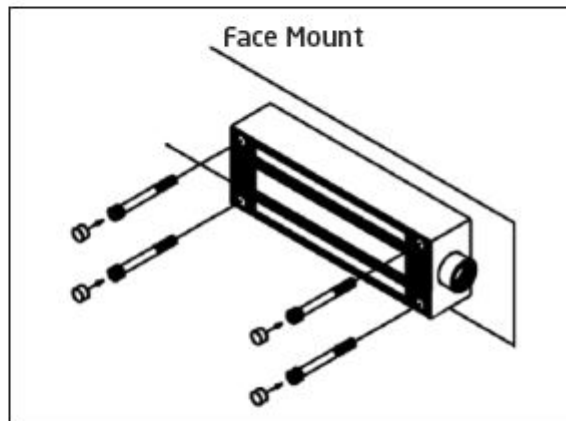
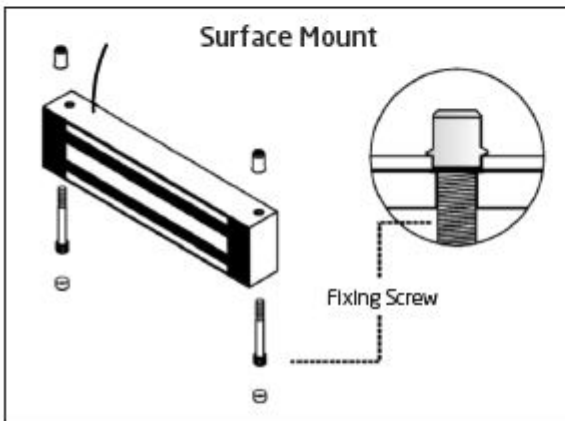


## Installation Instructions:

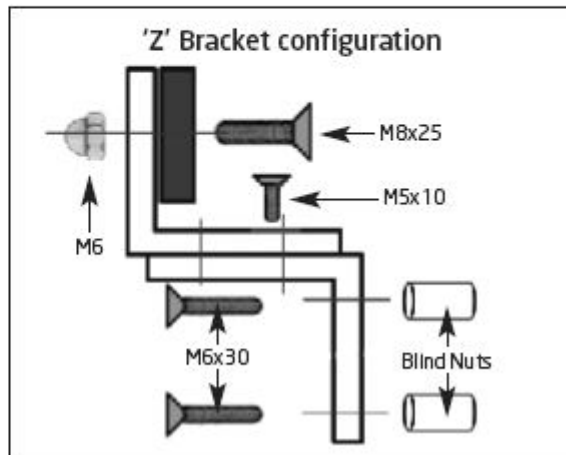
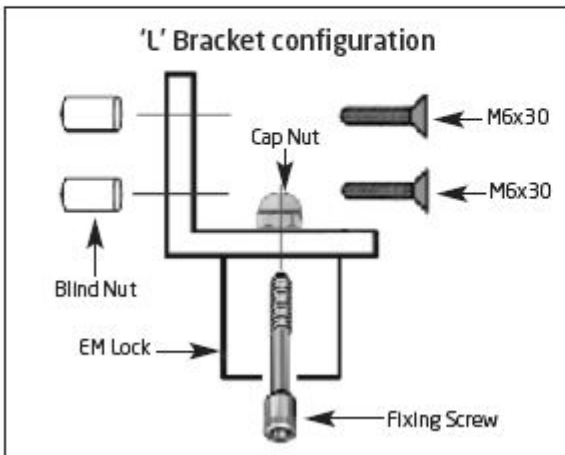
### Blind nut installation x2



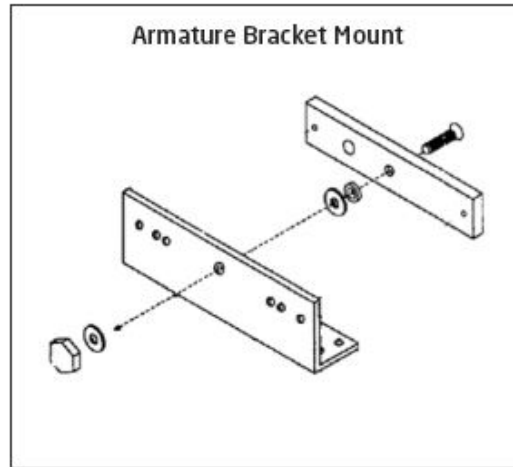
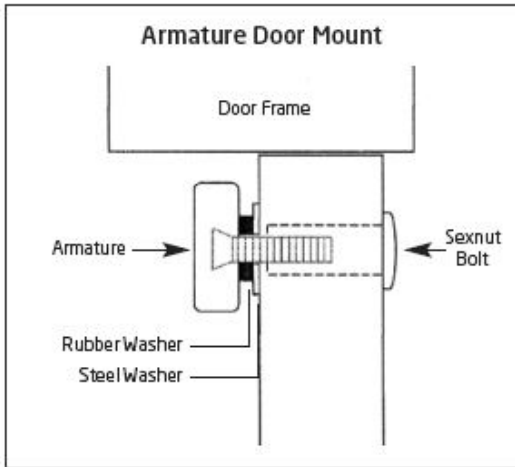
### Blind nut and electromagnetic lock installation



### Blind nut and bracket installation

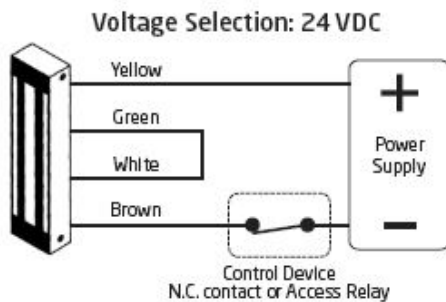
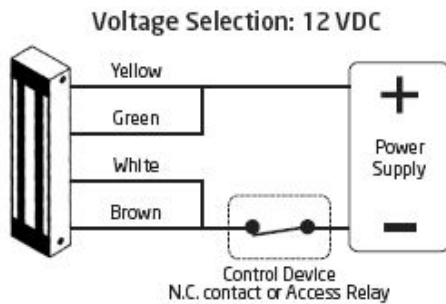


## Armature installation



## Wiring configuration

It is recommended to install the electromagnetic lock inside the property and conceal the cable inside the door frame to avoid unlawful entry.



## Rubber washer installation

The rubber washer allows the armature plate to pivot to compensate for door misalignment.

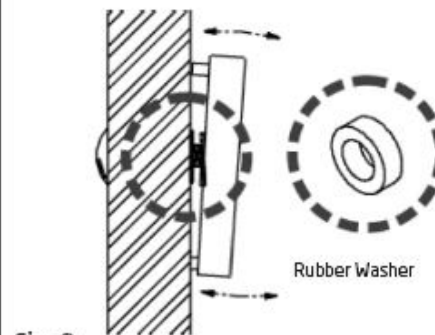


Fig. 8