



e-lock-B100

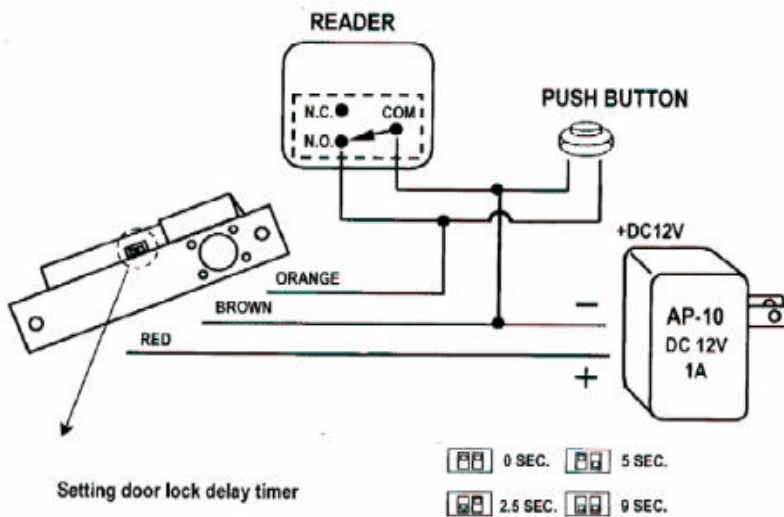
Features

e-lock-B100 Electric Bolt locks offer a choice of mortice or surface installation application, allows remote access and exit control of wood, aluminium or steel, doors. Works with sliding, single-action, and double-action (swing-through) doors and gates.

Specification

- Power Supply: DC 12V.
- Fail-safe type (Power to lock).
- Door sensor: N.C & N.O
- Operation delay time: 0 sec., 2.5sec., 5sec., 9sec.
- Built-in delayed egress control point
- Operation current : 900mA, Holding current: 360mA
- Dimension :
 - FACE PLATE : 200mm(L) x 32mm(W) x 40mm(D)
 - STRIKE PLATE : 90mm(L) x 26mm(W) x 2mm(D)
 - BOLT : 16mm(Throw) x 15.5mm(Diameter)

User Guide



Wiring connection :-

BROWN : GND

RED : + DC12V

ORANGE : PUSH BUTTON

YELLOW : DOOR POSITION SENSOR(N.C.)

GREEN : DOOR POSITION SENSOR(COM.)

Blue : DOOR POSITION SENSOR(N.O.)

Optional Brackets

EL-BK-G100 (Glass Door Bracket)

- To be used with e-lock-B100 Bolt Action Lock.
- Suitable for glass (thickness of 9mm-12mm).
- Stainless steel built for durability.
- Rubber plate and steel plate for strong holding
- Dimensions of large glass holder: 90X27X40 (mm).
- Weight: 300g.



EL-BK-G200 (Frameless Glass Door Housing)

- To be used with e-lock-B100 Bolt Action Lock.
- Suitable for 90° or 180° door.
- Sturdy built for durability.
- Simple installation without drilling any holes.
- To be used with EL-BK-G201 glass holder.
- Dimensions: 230x45x46(mm).
- Weight: 590g.

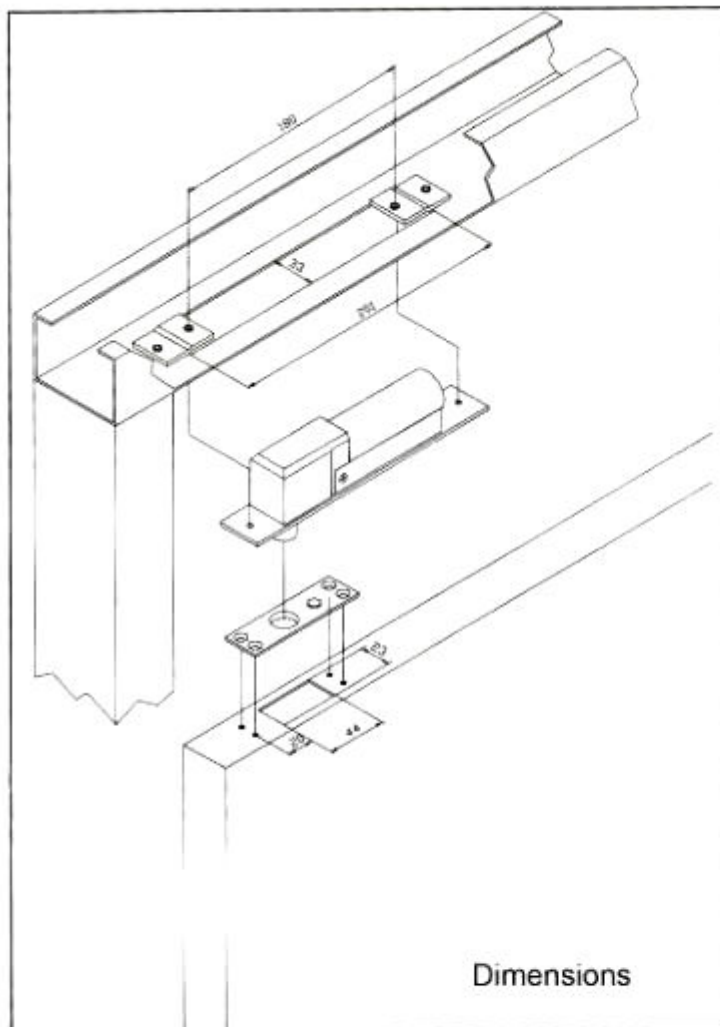


EL-BK-G201 (Glass Holder)

- To be used with EL-BK-G200 to install e-lock-B100 Bolt Action lock.
- Suitable for glass (thickness of 9mm-12mm).
- Stainless steel built for durability.
- Rubber plate and steel plate for strong holding.
- Dimensions of large glass holder: 195x46x16 (mm).
- Dimensions of small glass holder: 120.5x46x16 (mm).
- Weight: 1000g.

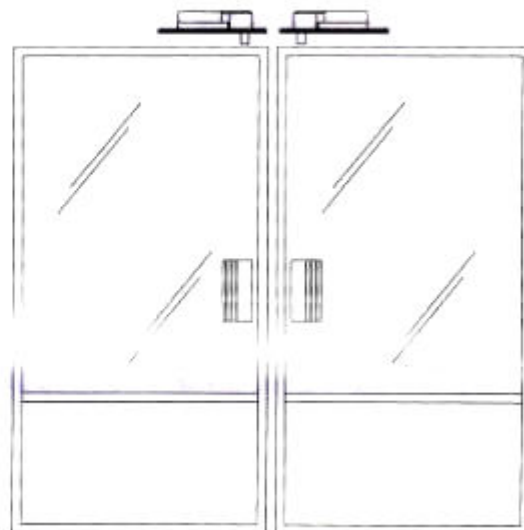


Installation

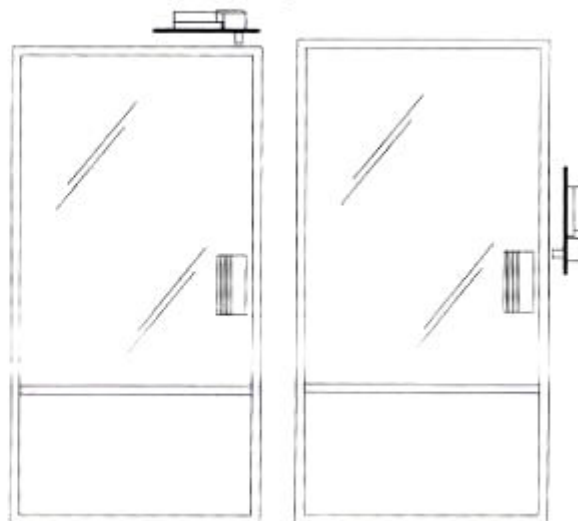


For vertical mounting, wires must come out the top of the unit

For double doors



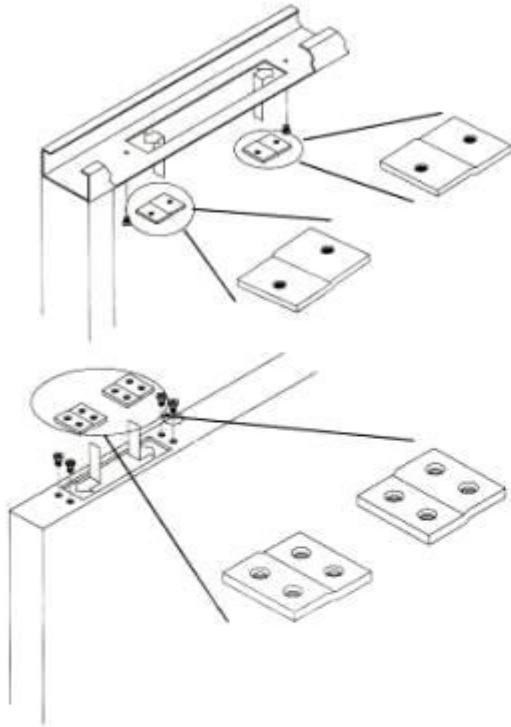
For single doors



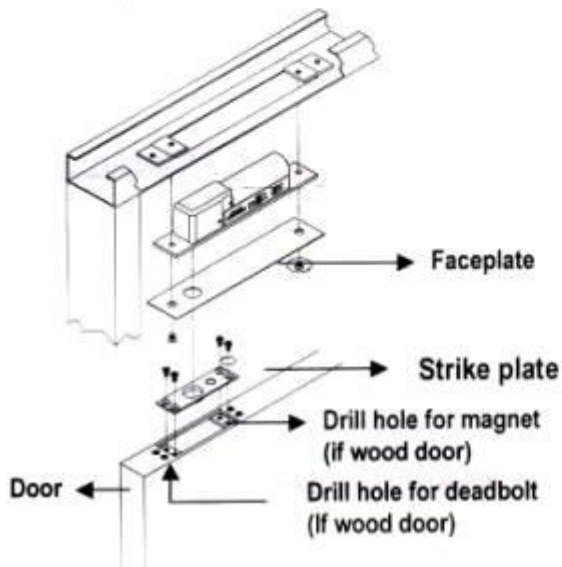
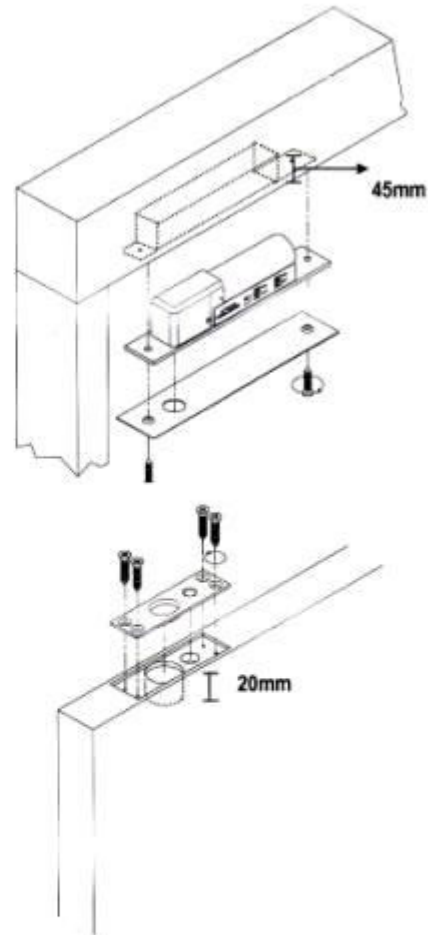
Installation

For hollow metal doors:

Please make sure the correct direction of the shims when mounted



For wood doors:



Installation

EL-BK-G200 Frameless Glass Door Housing

To be used with EL-BK-G201 Glass Holder

