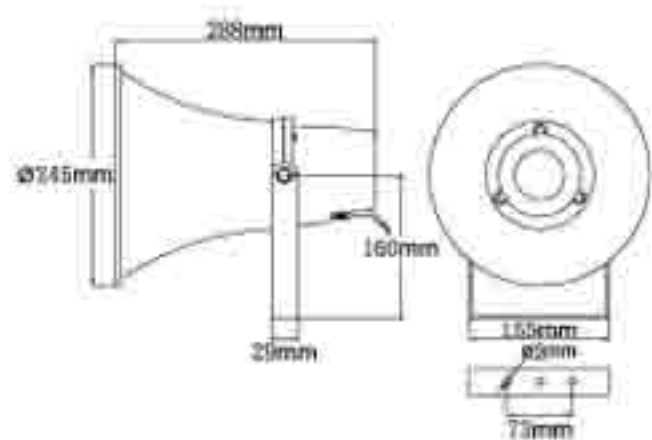


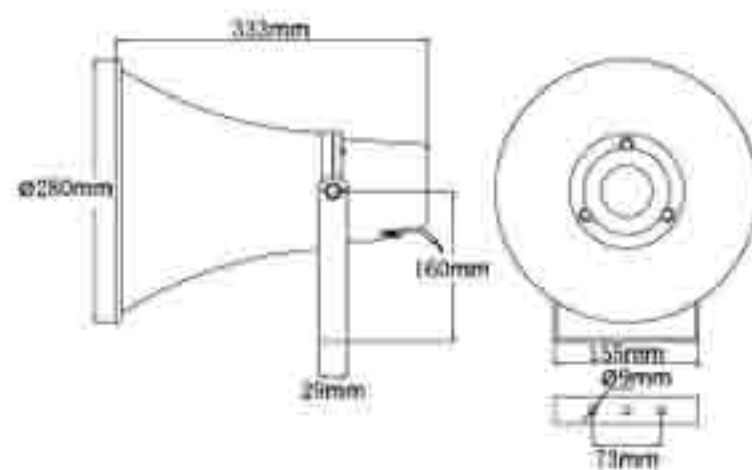
# HORN SPEAKER

**20W**



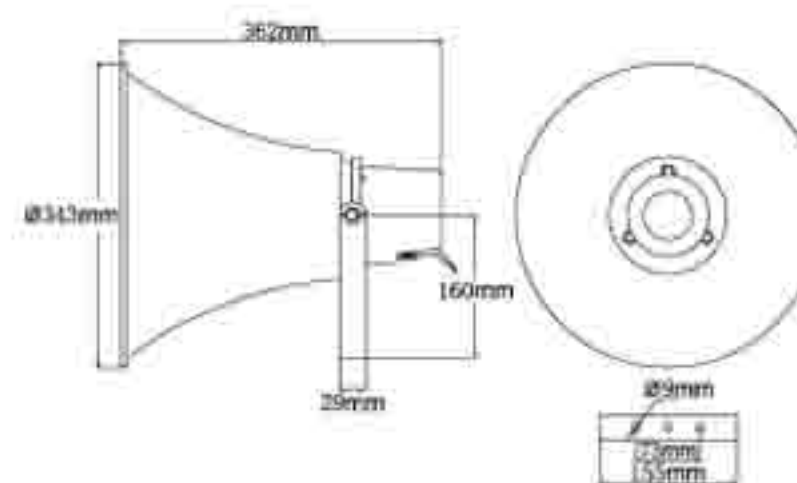
| Technical data              | H1015T        |
|-----------------------------|---------------|
| Load rating                 | 20 W          |
| Nominal impedance           | 8 ohms        |
| Transformer tapings at 100V | 20-10-5 W     |
| Frequency range             | 400Hz-5KHz    |
| SPL(@1W/m)                  | 102 dB        |
| Protection type             | IP 66         |
| Dimension Ø×L (mm)          | Ø245×288mm    |
| Material,Colour             | ALU / RAL7042 |

**30W**



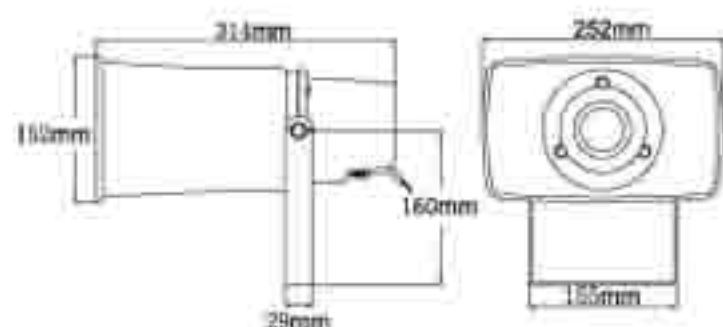
| Technical data              | H1217T        |
|-----------------------------|---------------|
| Load rating                 | 30 W          |
| Nominal impedance           | 8 ohms        |
| Transformer tapings at 100V | 30-15-7.5 W   |
| Frequency range             | 400Hz-5KHz    |
| SPL(@1W/m)                  | 103 dB        |
| Protection type             | IP 66         |
| Dimension Ø×L (mm)          | Ø280×333mm    |
| Material,Colour             | ALU / RAL7042 |

**50W**



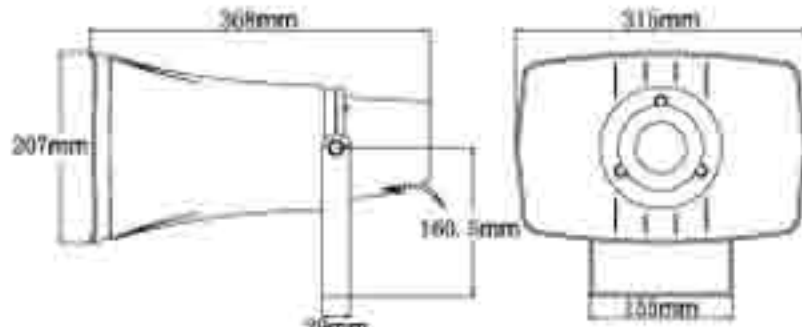
| Technical data              | H1314T        |
|-----------------------------|---------------|
| Load rating                 | 50 W          |
| Nominal impedance           | 8 ohms        |
| Transformer tapings at 100V | 50-25-12.5 W  |
| Frequency range             | 400Hz-5KHz    |
| SPL(@1W/m)                  | 105 dB        |
| Protection type             | IP 66         |
| Dimension Ø×L (mm)          | Ø343×362mm    |
| Material,Colour             | ALU / RAL7042 |

**20W**



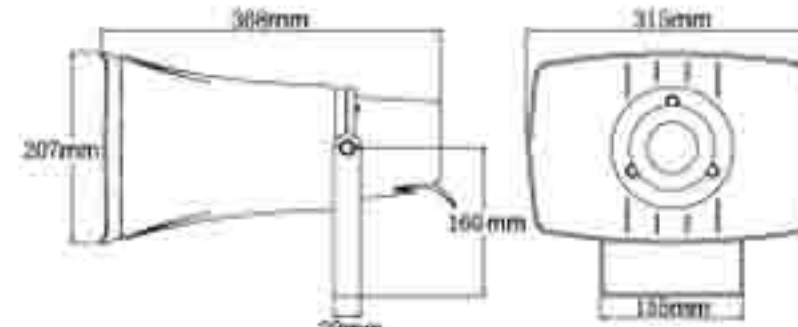
| Technical data              | H-20RT        |
|-----------------------------|---------------|
| Load rating                 | 20 W          |
| Nominal impedance           | 8 ohms        |
| Transformer tapings at 100V | 20-10-5 W     |
| Frequency range             | 400Hz-5KHz    |
| SPL(@1W/m)                  | 102 dB        |
| Protection type             | IP 66         |
| Dimension W×H×L (mm)        | 252×152×314mm |
| Material,Colour             | ALU / RAL7042 |

**30W**



| Technical data              | H-30RT        |
|-----------------------------|---------------|
| Load rating                 | 30 W          |
| Nominal impedance           | 8 ohms        |
| Transformer tapings at 100V | 30-15-7.5 W   |
| Frequency range             | 400Hz-5KHz    |
| SPL(@1W/m)                  | 103 dB        |
| Protection type             | IP 66         |
| Dimension W×H×L (mm)        | 315×207×368mm |
| Material,Colour             | ALU / RAL7042 |

**40W**



| Technical data              | H-40RT        |
|-----------------------------|---------------|
| Load rating                 | 40 W          |
| Nominal impedance           | 8 ohms        |
| Transformer tapings at 100V | 40-20-10 W    |
| Frequency range             | 400Hz-5KHz    |
| SPL(@1W/m)                  | 103 dB        |
| Protection type             | IP 66         |
| Dimension W×H×L (mm)        | 315×207×368mm |
| Material,Colour             | ALU / RAL7042 |