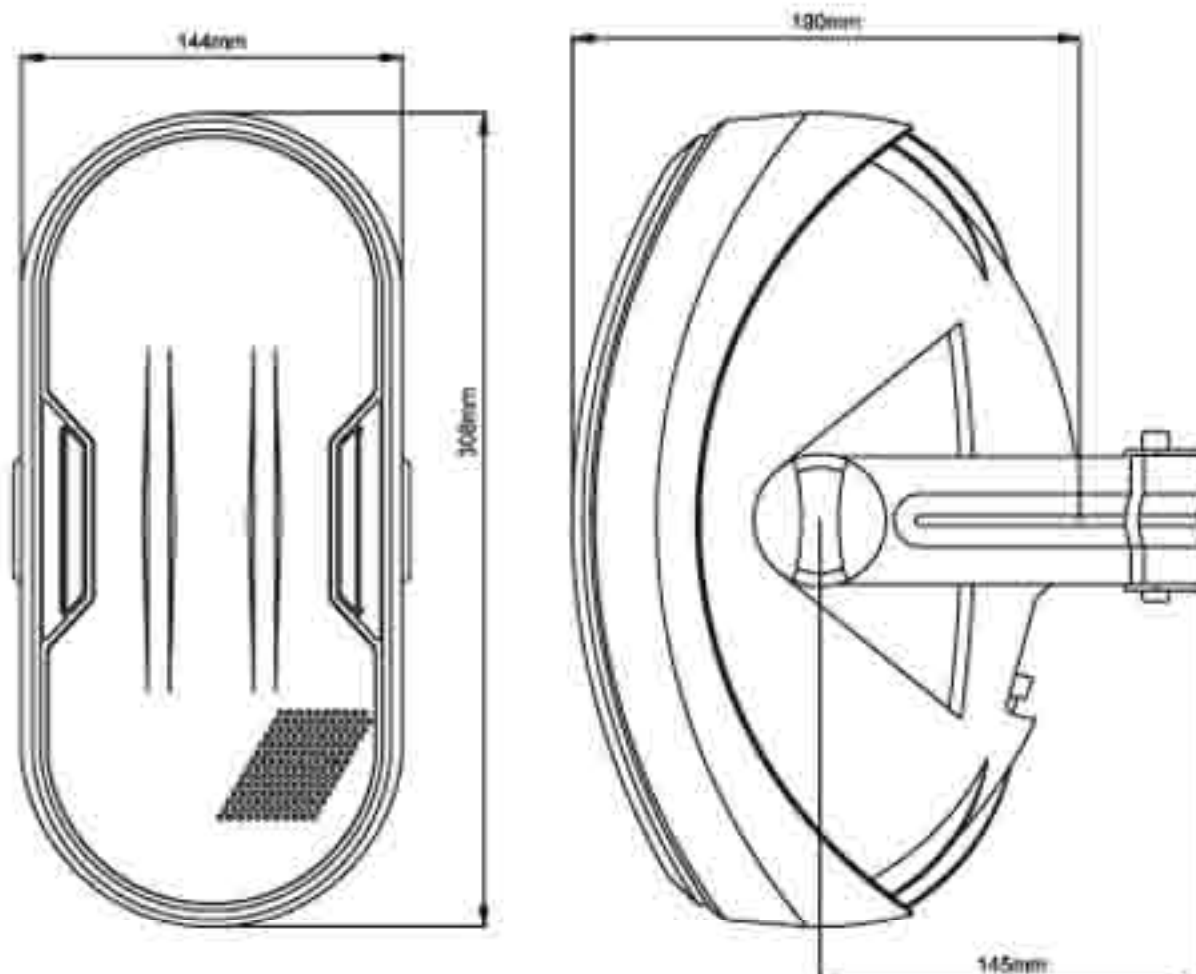




## Description

The HYB131 is perfect for a variety of environments where full-range audio is needed in a limited space: restaurants, bars, bistros, department stores, and outdoor venues. The HYB131 offers the bass response of a much larger speaker, and dual, 4" woofers make the HYB131 a phenomenal performer

- Designed for Commercial Sound/Life Safety, House of Worship, and other applications
- Two-way full range
- Vented LF enclosure
- 3/4" voice coil (titanium diaphragm) with Neodymium magnetic structure
- Three-dimensional ellipse (for compact look)



## Technical data

Technical data	HYB131T
Load rating	30 W
Transformer tapings	30W-20W-10W(100V) 30W-15W-10W-5W(70V)
Frequency range	75Hz-20KHz
SPL(@1W/m)	89 dB
Woofer	dual 4" PP
Tweeter	3/4" titanium dome
Dimension H×W×D(mm)	308×144×190mm
Material, Colour	PP , white or black