

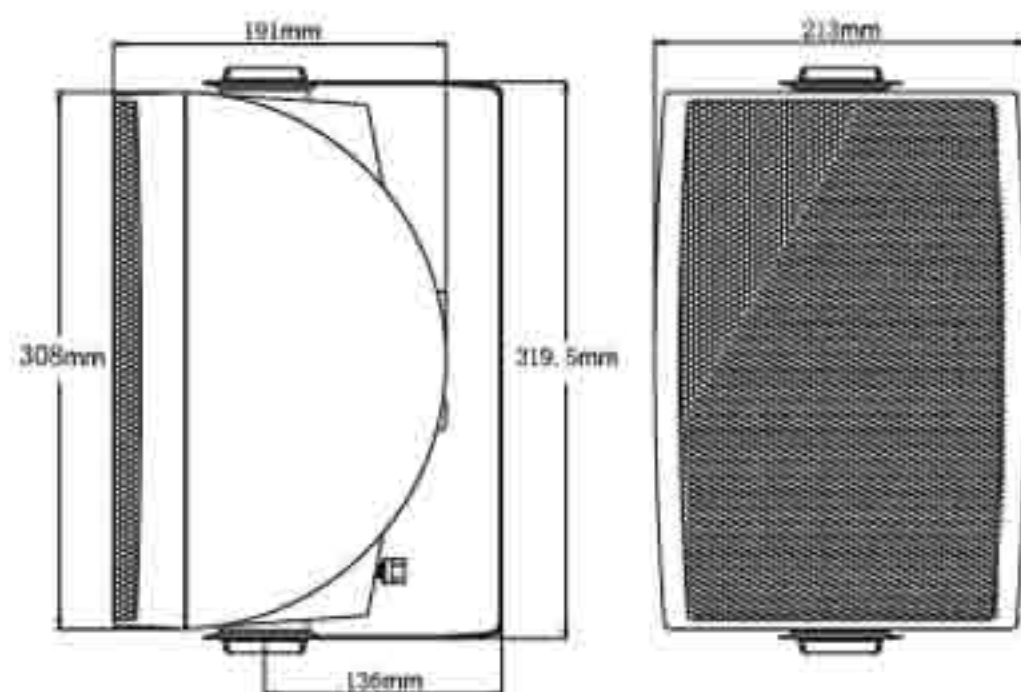


## Description

The HYB125 Series comprise a two-way speaker line of compact units offering wide frequency response and higher, more powerful performance. These highly adaptable speaker systems are intended to meet the requirements of a wide range of venues and applications, both indoors and outdoors. Both high impedance and low-impedance models are available. Low impedance models come with separate HF and LF protection circuitry. High impedance models have a rear-panel rotary control for making impedance settings that optimally match amplifier and speaker performance.

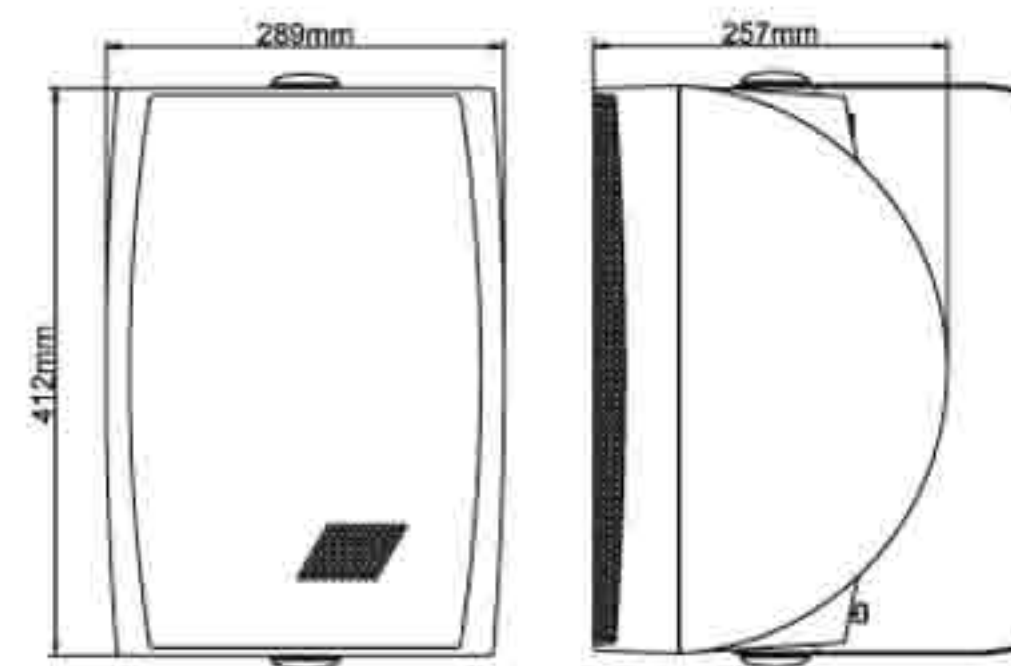
Please consider the following features:

- The trapeze form allows mounting in various angles and corners..
- The speaker-leads connection is very easy with 2 clamp clips.
- The speakers can be mounted in- and outdoors.
- There is a hidden impedance selector on the back panel with 3 x 100 V, 4 x 70 V and a 1 x 8 ohms position. As there is a fitted high quality 100 V matching-transformer, there is no reduction of the sound pressure or playback quality.
- The grille can be taken off.



Technical data	HYB125-6T
Load rating	40 W
Transformer tapings	40W-20W-10W(100V) 40W-20W-10W-5W(70V)
Frequency range	70Hz-20KHz
SPL(@1W/m)	91 dB
Woofer and Impedance	6 1/2" PP / 8 ohms
Tweeter and Impedance	1" silk dome / 8 ohms
Dimension HxWxD(mm)	308x213x191mm
Material, Colour	PP , white or black

**FASHION SPEAKER, 40 W.....HYB125-6T**  
with 100 V Matching transformer (40-20-10-5W) and 8 ohms



Technical data	HYB125-8T
Load rating	50 W
Transformer tapings	50W-40W-30W(100V) 50W-25W-20W-15W(70V)
Frequency range	60Hz-20KHz
SPL(@1W/m)	93 dB
Woofer and Impedance	8" PP / 8 ohms
Tweeter and Impedance	1" silk dome / 8 ohms
Dimension HxWxD(mm)	412x289x257mm
Material, Colour	PP , white or black

**FASHION SPEAKER, 50 W.....HYB125-8T**  
with 100 V Matching transformer (50W-25W-20W-15W) and 8 ohms