



Description

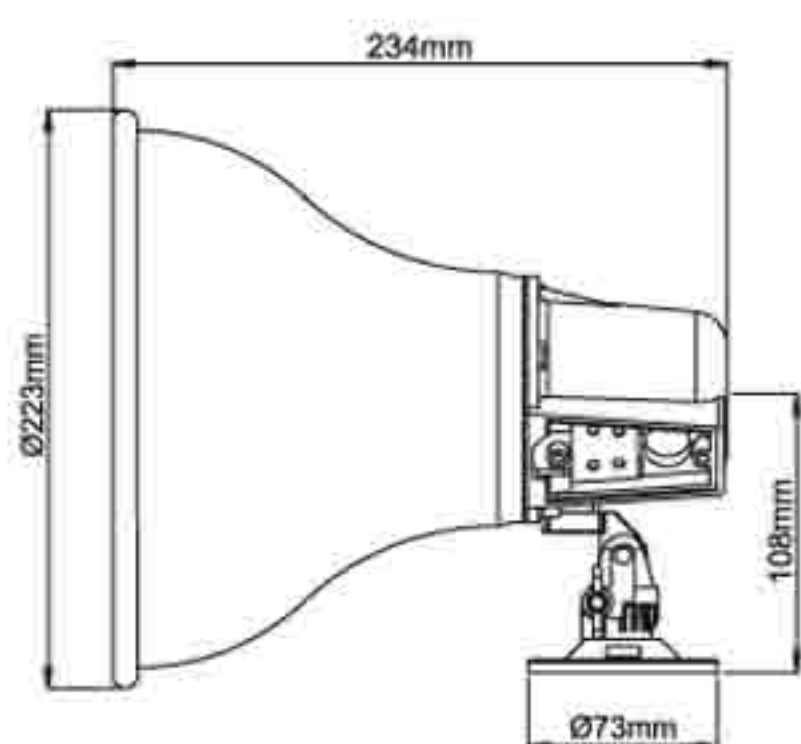
Very stable and attractive horn speaker with integrated 100V matching transformer. This series is of high-quality metal construction and therefore shock- and scratch-resistant.

These weatherproof horn speakers provide performance even in the harshest environments. Aluminium resin for inner horn and rear cover. Includes line transformer for constant voltage. It can be select the output power from different impedance.

Water Proof Construction ensures longer product use. Whether you're indoors or outdoors, it can provide good sound quality

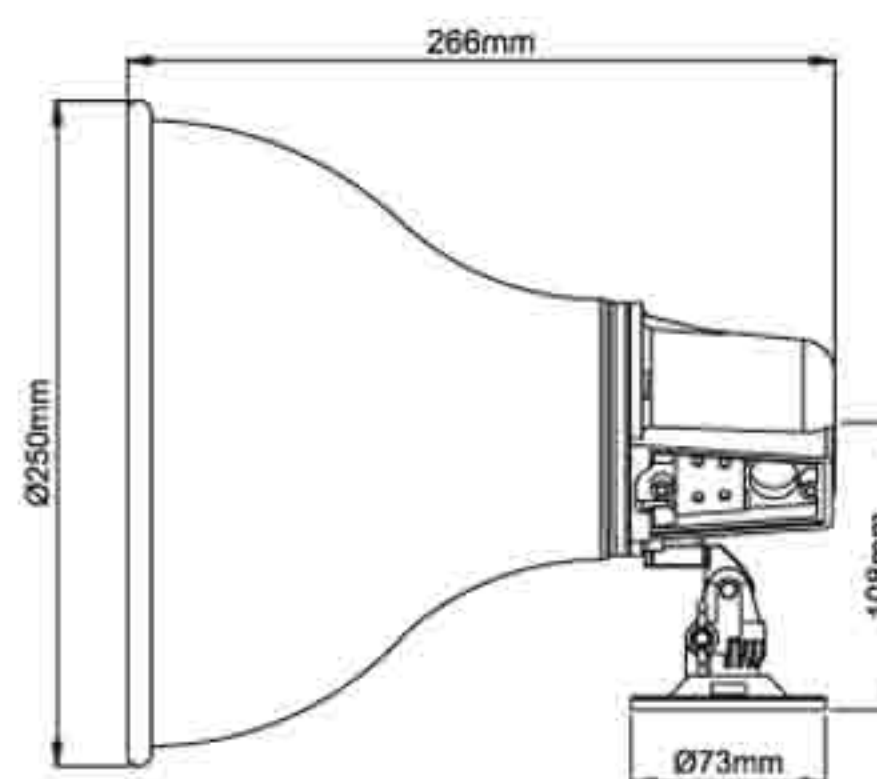
Please consider the following features:

- The complete construction of the horn speakers series has the ultimate protection grade, IP 66.
- The 2-pole connection cable (flexible hose line) is led through a waterproof PG-screw joint .
- The 8-step impedance is switchable with a screwdriver at the rear side of the unit.
- The horn speaker system is constructed for superlative sound pressure and provide an amazingly good frequency response.



Technical data EX-15TC

Load rating	15W
Input impedance	90-170-330-670-1.3K-2.5K-5.5K ohms
Frequency range	450Hz-5KHz
Output power	0.11-0.25-0.5-0.9-1.9-3.7-7W (25V) 0.9-1.8-3.8-7.5-15W (70V) 1.8-4-7.7-15W (100V)
SPL(@1W/m)	106 dB
Dimension D×L	Ø223x234mm
Material	Aluminum



Technical data EX-30TC

Load rating	30W
Input impedance	45-90-170-330-670-1.3K-2.5K ohms
Frequency range	350Hz-5KHz
Output power	0.25-0.5-0.9-1.9-3.7-6.9-13.9W (25V) 2-3.8-7.5-15-30W (70V) 4-7.7-15-30W (100V)
SPL(@1W/m)	107 dB
Dimension D×L	Ø250x266mm
Material	Aluminum