

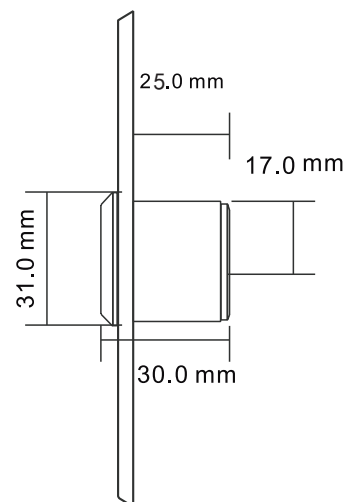
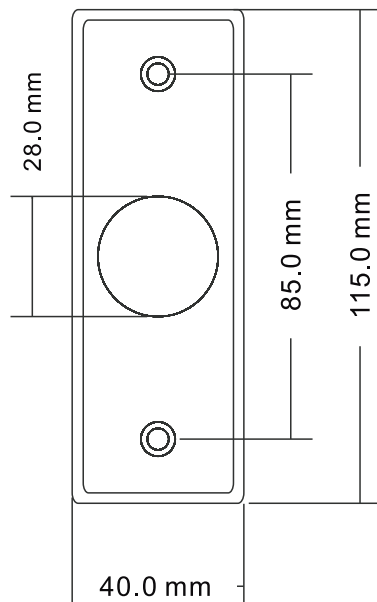
Touchless Sensor Exit Button

Model: ANT840

Specification

- **Dimensions:** 115L*40W*25H(mm)
- **Contact Rating:** 12-24V, 3A
- **Power:** 12VDC or 24VDC
- **Output Contact:** NO/NC/COM
- **Mechanical Life:** 100,000 Tested
- **Suitable for Door:** Hollow Door
- **Logo:** Customizable
- **Weight:** 0.069kg
- **Operating Temp:** -20 °C ~+55 °C (14-131F)
- **Operating Humidity:** 0-95%(relative humidity)
- **Detection Range:** 5-15cm (Adjustable)
- **LED Indicator:** Blue LED (Standby)
Green LED (Sensation)
- **Surface Mount:** Optional M40 or PG40 Back Box
- **Panel:** 4mm Thick Aluminium Alloy (CNC)
- **Package Quantity:** 100PCS/56*37*47cm/ctn

Product Dimension



מערכות אלקטרוניות בע"מ