

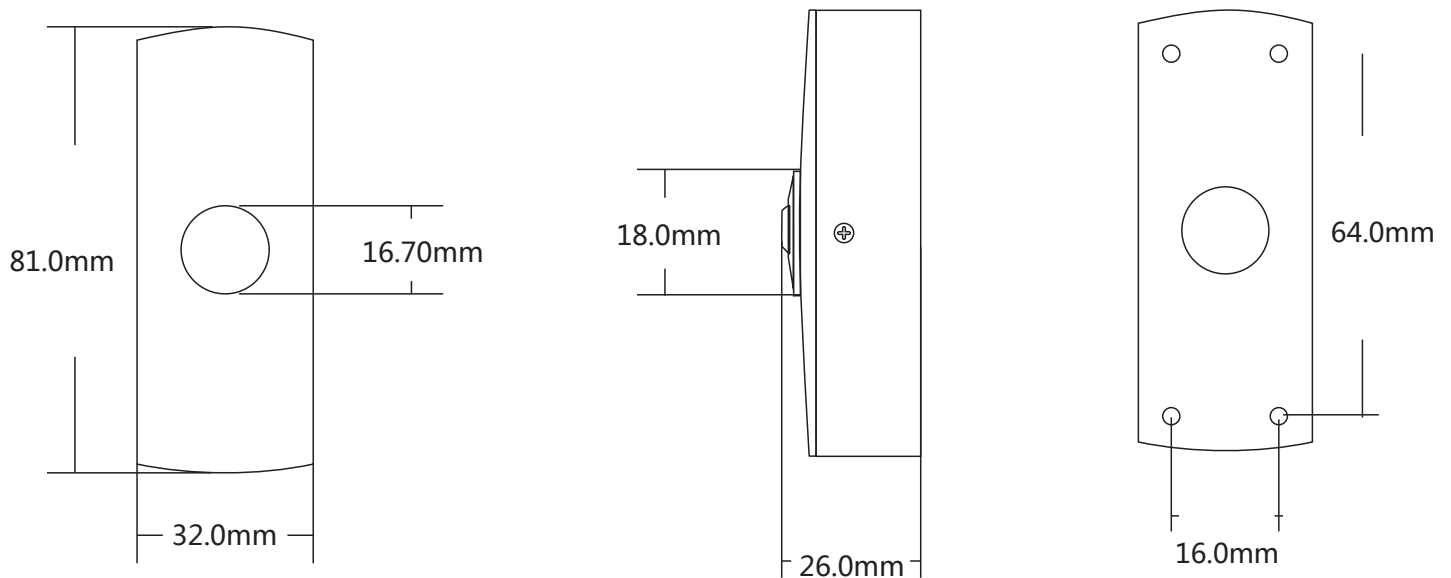
# Surface Mount Exit Button

Model: Z30

## Specification

- **Dimensions:** 81L\*32W\*26H(mm)
- **Current Rating:** 0.5A/12-24V
- **Output Contact:** NO/COM
- **Button:** Silvery Metal
- **Logo:** Customizable
- **Material:** Zinc Alloy
- **Operating Temp:** -20°C ~+55°C (14-131F)
- **Suitable Humidity:** 0-95%(relative humidity)
- **Mechanical Life:** 100,000 tests
- **Weight:** 0.105kg
- **Installation Mode:** Surface Mount With Back Box
- **Package Quantity:** 1PCS/Box, 100PCS/38\*38\*22cm/ctn

## Product Dimension



מערכות אלקטרוניות בע"מ