

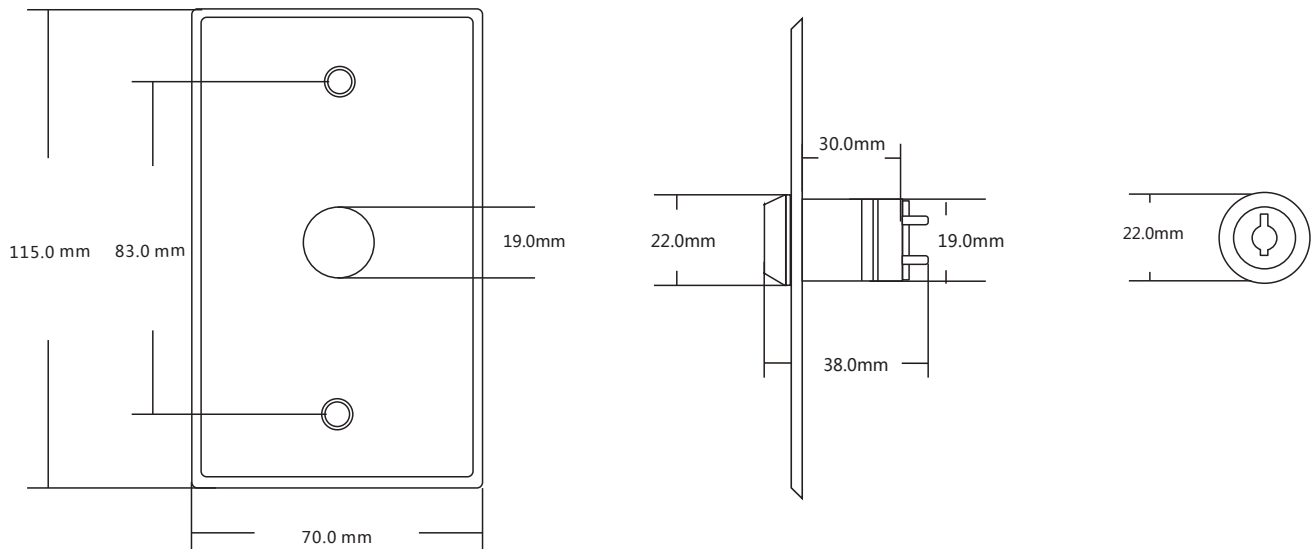
# DPDT Key Switch Exit Button

Model: S70KD

## Specification

- **Dimensions:** 115L\*70W\*30H(mm)
- **Contact Rating:** 3A/125-250VAC
- **Output :** 2NO/2NC/2COM
- **Mechanical Life:** 100,000 Tests
- **Weight:** 0.113kg
- **Key:** With Two Keys
- **Logo:** Customizable
- **Operating Temperature:** -20℃~+55℃ (14-131F)
- **Suitable Humidity:** 0-95%(relative humidity)
- **Installation Diameter:** 19mm
- **Surface Mount:** Optional M70 Metal Back Box
- **Panel:** 0.9mm Thick 304 Stainless steel (Wire Drawing)
- **Package Quantity:** 100pcs/56\*37\*47cm/ctn
- **Installation Mode:** Hollow Door

## Product Dimension



מערכות אלקטרוניות בע"מ